



# CHEMICAL SANITIZING UNDERCOUNTER GLASSWASHER

## GL-X

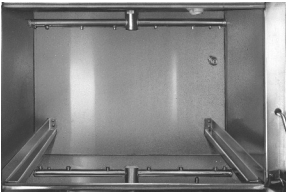
Low Temperature Undercounter Glasswasher



### FEATURES

- 30 racks per hour.
- Large 11-1/4" door opening.
- Economical to operate. Uses only 1.7 gallons of water per cycle.
- All stainless steel construction assures long life and years of trouble free operation.
- Unique spray arm system features upper and lower stainless steel wash arms with reinforced end caps.
- Built-in chemical pumps and deliming system assures proper chemical usage.
- Convenient to service "Works-in-a-drawer". All electrical components are attached to a sliding drawer for easy access and service.
- Instant start for simple operation.
- Pumped drain allows for flexible installations. No floor drain required.
- Wash tank sustainer heater keeps water at proper temperature between loads.
- Stainless Steel Legs 4" (set of 4).
- Uses standard 19-3/4"-19-3/4" racks.

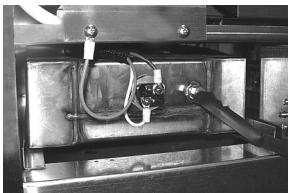
### CMA MODEL: GL-X



Upper and lower rotating wash arms guarantee excellent results.



"Works-in-a-drawer." All electrical components are attached to a sliding drawer for easy access and service.



Built-In Hot Water Assurance System provides hot water every cycle.

### AVAILABLE OPTIONS

- Low Chemical Alarm
- Drain Board
- CMA TEMP-SURE

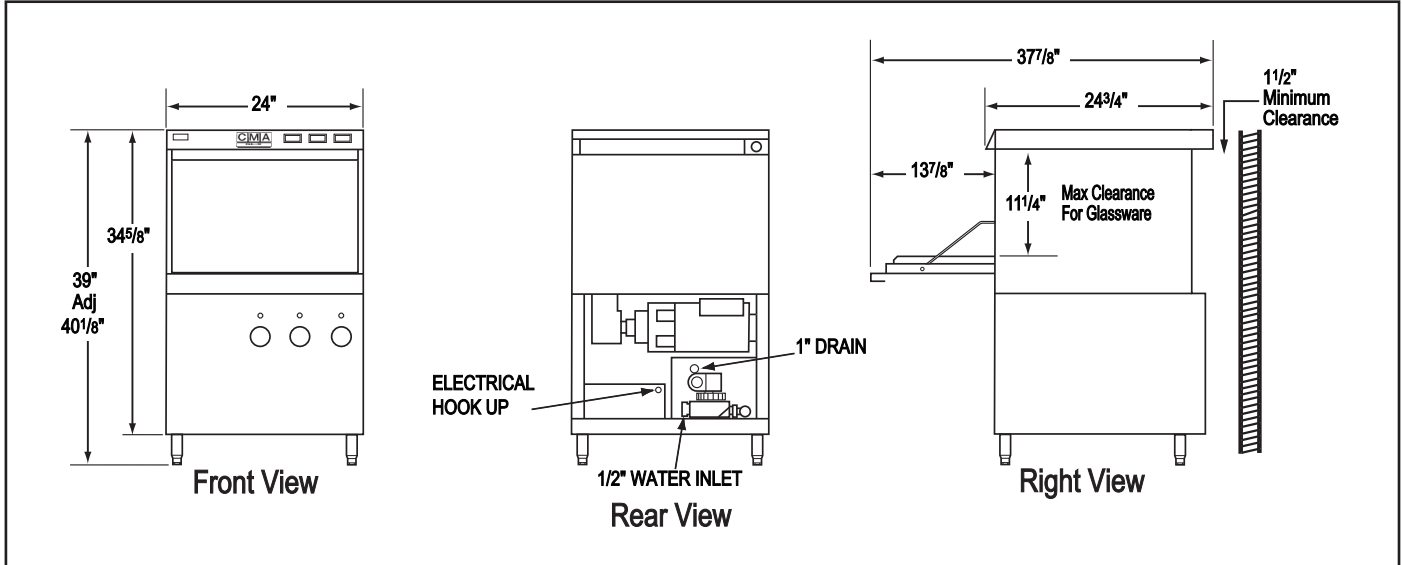




**GL-X**  
Chemical Sanitizing  
Glasswasher

**WARNINGS:**

- Plumbing connections must be made by a qualified service company who will comply with all available Federal, State, and Local Health, Plumbing and Safety codes.
- CMA recommends utilizing a water softening system to maintain water hardness measurements of 3.5 gpg (grains per gallon) or less. This will assure maximum results and optimum operation of the dishmachine.



**Specifications:**

MODEL GL-X	USA	METRIC	USA	METRIC
<b>OPERATING CAPACITY</b> RACKS PER HOUR	30	30		
<b>OPERATING CYCLE</b> WASH TIME-SEC RINSE TIME-SEC DWELL/TIME-SEC TOTAL CYCLE TIME	58 32 30 120	58 32 30 120		
WASH TANK CAPACITY	1.7 GAL.	(6.45 L)		
WASH PUMP CAPACITY	35 GPM	(132 LPM)		
<b>MINIMUM TEMPERATURE REQUIRED</b> WASH TEMP.	120°F	(50°C)		
<b>WATER CONSUMPTION</b> PER RACK PER HOUR WATER INLET DRAIN	1.7 GAL. 51 GPH 1/2" 1"	(6.45 L) (193 LPH) (1.27 cm) (2.54cm)		
<b>WASH PUMP MOTOR HP</b>			1	1
<b>DIMENSIONS</b> DEPTH WIDTH HEIGHT MAXIMUM CLEARANCE FOR GLASSWARE			24-3/4" 24" 39"-40-1/8" 11-1/4"	(63cm) (61cm) (99-102cm) (28.57cm)
<b>STANDARD DISHRACK</b> DIMENSIONS			1 20" x 20"	1 (50.8 X 50.8cm)
<b>ELECTRICAL RATING</b>			<b>VOLTS</b> 115	<b>AMPS</b> 16
<b>APPROXIMATE SHIPPING WEIGHT</b> <b>SHIPPING DIMENSIONS</b>			202# PALLET & BOX @ 29" X 28" X 42"	(92kg)

**Summary Specifications: Model GL-X**

The GL-X glasswasher is a low temperature undercounter dishmachine designed to produce sparkling clean glassware utilizing our unique Hot Water Assurance System. The GL-X is easy to use, fast and efficient, while conserving water, energy and chemicals. Built-in sustainer heater provides continuous 130°F hot water every cycle. The GL-X is constructed entirely of stainless steel and is equipped with an integrated chemical delivery system. The GL-X incorporates a pump purging system that improves results by eliminating soil and chemical carryover during rinse cycle.

**Advisory:** CMA does NOT endorse "Tankless On-Demand" water heaters for use on CMA Dishmachine products. CMA DOES endorse, and highly recom-mends, the standard "tank" style water heaters, sized properly to handle each particular facility with their water heating requirements.



CMA Dishmachines 12700 Knott Street Garden Grove, CA 92841 • 800-854-6417 • 714-898-8781 • Fax: 714-895-2141 • www.cmadishmachines.com

CMA reserves the right to modify specifications or discontinue models without prior notification.

© 3-2020 CMA, Inc.

an Ali Group Company



The Spirit of Excellence